

Flo-WashPress

Washer Compactor
VWP

SAVI

A Flexible, Low Profile Screenings Washing & Dewatering System

The Flo-WashPress Shafted Washer Compactor incorporates screenings washing and dewatering in a single unit. The clean, dewatered screenings can then be discharged into a dumpster or an optional continuous bagger for ease of handling and disposal.

As with all products in the Saveco Flo-Products family, the Flo-Wash-Press keeps mechanical complexity to a minimum. With its low maintenance, single auger screw design and its efficient drive system, the Flo-Wash-Press Shafted Washer Compactor significantly reduces maintenance requirements and downtime.



Screened sludge being dewatered by an SAVI® VWP-3 Washer Compactor.

Features & Benefits

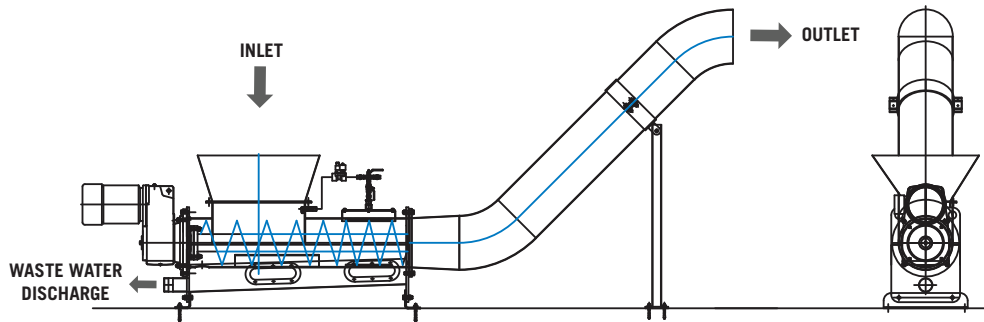
- 1 Screenings washing** - Removing organics from screenings prior to dewatering produces drier solids.
- 2 35% to 40% dry solids** - More acceptable to landfill.
- 3 Clean, dewatered screenings** - Reduced volume and less odor.
- 4 Less odor** - More neighbor and operator friendly.
- 5 75% volume reduction** - Reduced handling and disposal costs.
- 6 Compact, low profile design** - Easily retrofitted into existing installations or integrated into new equipment layouts.



A SAVI® VWP-2 Washer Compactor receiving screenings from a launder system.



Two Flo-WashPress units receiving screenings from a conveyor system.



Specifications

| | | VWP-1 | VWP-2 | VWP-3 |
|-------------------|------|-----------|-----------|-----------|
| Nominal tube size | DN | 200 | 250 | 300 |
| Capacity | CuFt | 70 | 125 | 210 |
| Volume reduction | % | >75% | >75% | >75% |
| Drive motor | Hp | 5 | 5 | 7.5 |
| Controls | | NEMA 4x/7 | NEMA 4x/7 | NEMA 4x/7 |
| Pressure | bar | 5 | 5 | 5 |

Materials of Construction

| | |
|----------------|---|
| Covers | AISI 304 SST (316 Optional) |
| Transport tube | AISI 304 SST (316 Optional) |
| Chutes | AISI 304 SST (316 Optional) |
| Fasteners | AISI 304 SST (316 Optional) |
| Shafted screw | ST52-3 Alloy Steel (304/316 SST Optional) |



SAVECO
Member of WAMGROUP

1570 St. Paul Avenue
Gurnee, IL 60031 U.S.A.
P. 815.636.8306 • F: 847.672.7968

ecsales@savecowaterna.com
www.savecowaterna.com