

Flo-Drum Rotating Drum Screen

For MBR Pre-treatment and Wastewater

VSA

SAVI



Flo-Drum VSA

Rotating Drum Screen for MBR Pre-treatment and Wastewater

High Capture Efficiency with Minimal Bypass



In tank Screening Units for MBR Pre-treatment

Over 600
Drum Screen
Installations
Worldwide



The Flo-Drum screen is engineered to be the most advanced fine screening system available. With an 86% capture ratio (with 2mm perf) and minimal bypass, this perforated plate drum screen outperforms all the older technologies such as cylindrical bar screens, screw/sieve screens and step-type screens.

For in channel and in tank MBR pre-treatment, the Flo-Drum provides the protection this sensitive application requires. The screen's ability to capture small debris and hair keeps MBR's performing efficiently, longer, while reducing maintenance and cleaning requirements. It is no wonder this SAVI screen can be found protecting Membrane Bioreactors worldwide.

The Flo-Drum screen also excels as a headworks screen. Small debris or large, rags or hair are all captured by the rotating drum. The drum's exterior cleaning brush and water spray keep very fine debris inside the drum, directs the debris into the trough and ensures a clean screen surface. Larger debris captured on the interior surface of the drum is immediately swept into the trough by the cleaning vanes and conveyed to washing and dewatering by the extraction screw.



1 - Triple Face Seal



4 - Exterior Brush



5 - Bottom Bronze Bushing

Features & Benefits

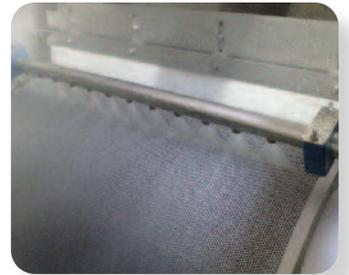
- 1 **Triple seal at influent end of the screen drum** - Designed for maximum capture efficiency of fine solids and to prevent bypass.
- 2 **Flo-Drum units are available for in-channel or in-tank applications** - Same efficient operation for either gravity or pumped flows.
- 3 **Verified High Capture Screening System** - Flo-Drum screens with 2 mm perforated plate achieve 86% capture.
- 4 **A spray and brush are located on the outside of the screen basket** - Small solids are contained within the screen basket as the basket is cleaned.
- 5 **Large, robust, self-lubricating bronze brushing** - No lubrication pumps or maintenance required.
- 6 **Hinged and latched compaction zone access cover with safety interlock switch** - Provides easy access without tools yet prevents opening during operation.
- 7 **Removable, sliding aluminum covers** - Light weight covers slide open and out of the way to perform routine maintenance or pivot the unit out of the channel.
- 8 **Optional Stainless steel cover design available** - A cover alternative based on customer preference.
- 9 **Exterior spray bar on drum** - This spray bar keeps small particles inside the screen basket for capture and removal.
- 10 **Optional freeze protection is available** - Screens are easily adaptable for outdoor installations in colder climates.
- 11 **Screen drum is available in perforated plate or wedgewire media** - Custom engineered to meet specific application requirements.



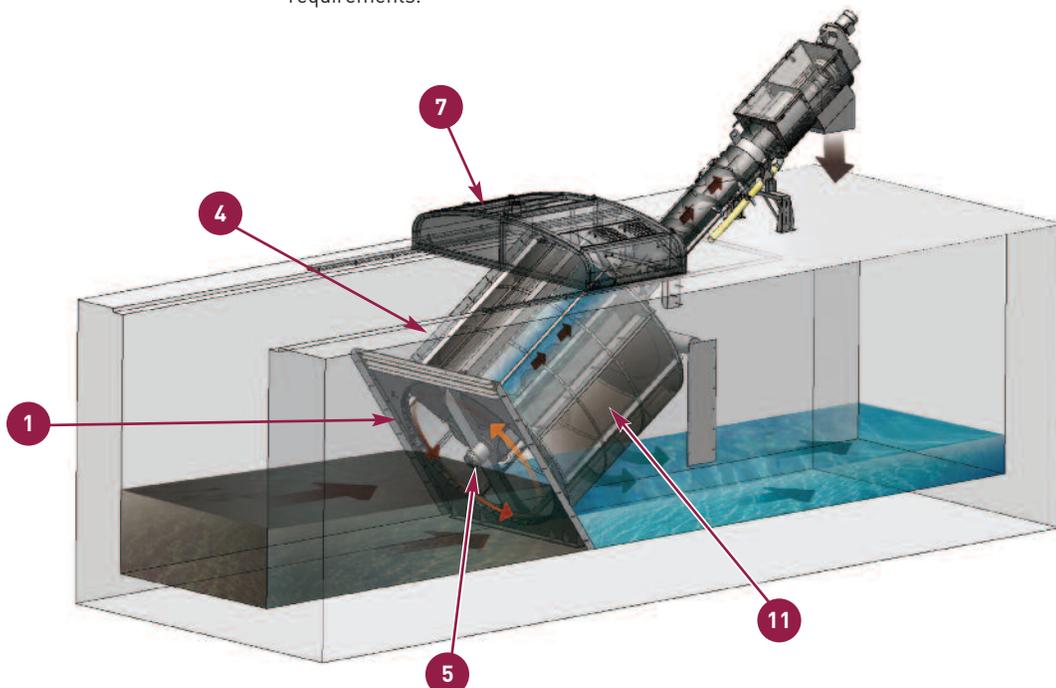
7 - Removable, Sliding Aluminum Covers



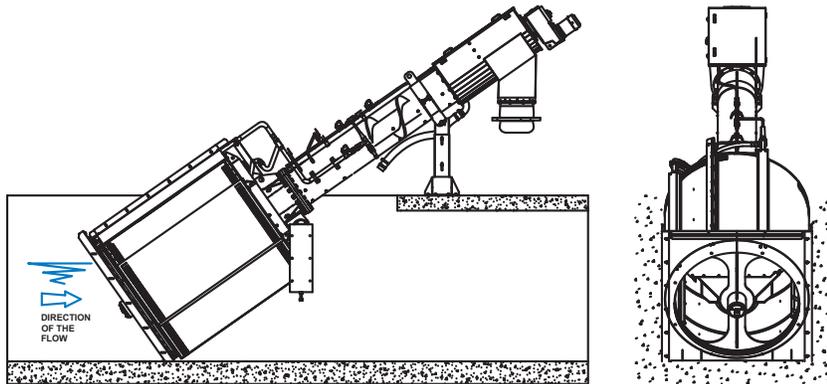
8 - Optional Stainless Steel Covers



9 - Overlapping Spray Pattern



Formerly Enviro-Care®



Specifications

Wastewater

Flow Rate	mgd	1 - 43 (6 mm perf)
Screen Media/Openings		
Perforated Plate	mm	3 and 6
Wedgewire	mm	.5 - 6

Membrane Bioreactor

Flow Rate	mgd	2.5 - 15 (2 mm perf)
Openings Perforated Plate	mm	1 - 2 - 3
Water Pressure	psi	60 - 70

Common to Both Applications

Verified Capture Ratio	Percent	92 (1mm) 86 (2mm) 66 (6mm)
Channel Widths	inches	26 - 118
Angle of Inclination	degrees	35
Drum Screen OD	mm	600 - 800 - 1000 - 1200 - 1400 - 1600 - 1800 - 2000 - 2200 - 2400 - 2600 - 3000
Drive Motor	Hp	1 - 1.5 - 2 - 3 - 5
Controls		NEMA 4X/7
Voltage	V-Hz	240/480 V - 60 Hz

Materials of Construction

Shafted Screw	ST52-3 Alloy Steel (304/316 SS Optional)
Supports, End Plates, Anti-Rotation Bars	AISI 304 SS (316 Optional)
Screen Basket	AISI 304 SS (316 Optional)
Tubes and Discharge Chutes	AISI 304 SS (316 Optional)



SAVECO
Member of WAMGROUP

1570 St. Paul Avenue
Gurnee, IL 60031 U.S.A.
P. 815.636.8306 • F: 847.672.7968

ecsales@savecowaterna.com
www.savecowaterna.com